

[TopPage](#)>>[Search Result](#)>>53202

Thrust Ball Bearings

Bearing No. : **NACHI 53202**

■ Bearing Type

■ Clearance

■ Tolerance Class

Dimensions

d = 15 0
 -0.008

D = 32 0
 -0.016

T3 = 13.3

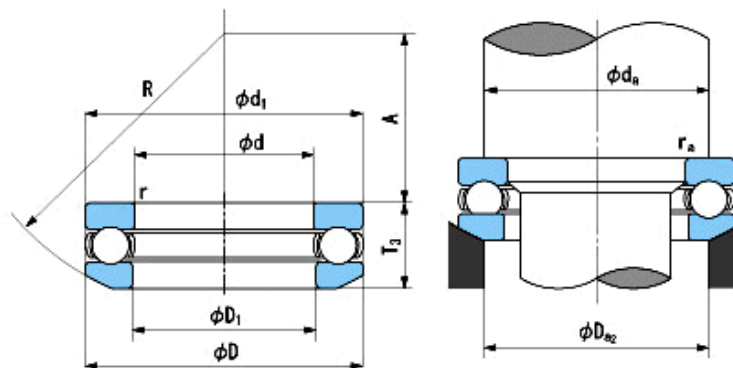
r = 0.6~1.5
(Radial Direction and Axial Direction)

D1(min) = 17

d1(max) = 32

R = 28

A = 12



Dimensions

da(min) = 25

Da2(max) = 22

ra(max) = 0.6

Mass = 0.048 kg

Basic Dynamic Load Rating Ca : **16,600** N

Basic Static Load Rating Coa : **24,800** N

Limiting Speed ;

Grease Lubrication : **5,100** min⁻¹

Oil Lubrication : **7,600** min⁻¹

O.D.Surface Runout with Side :

Axial Runout with Bore :

Axial Runout with Raceway :

Width Variation :

Radial Runout :

INNER RING

OUTER RING